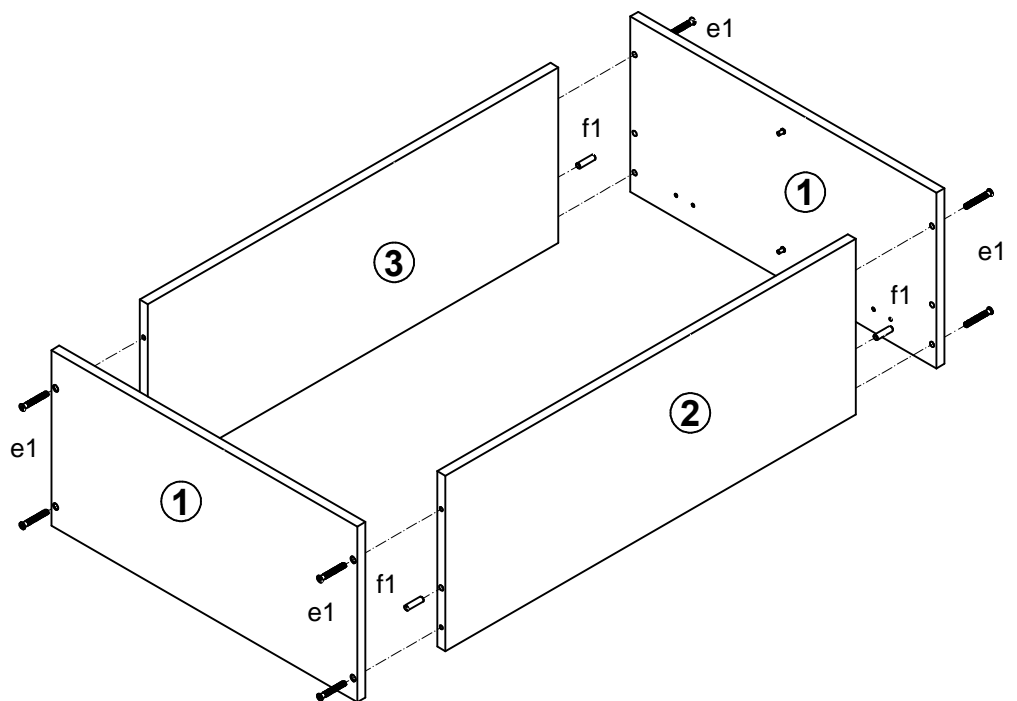
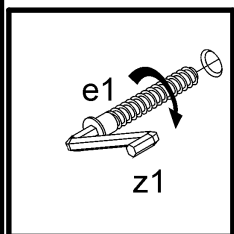
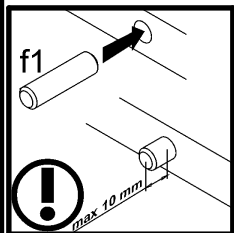
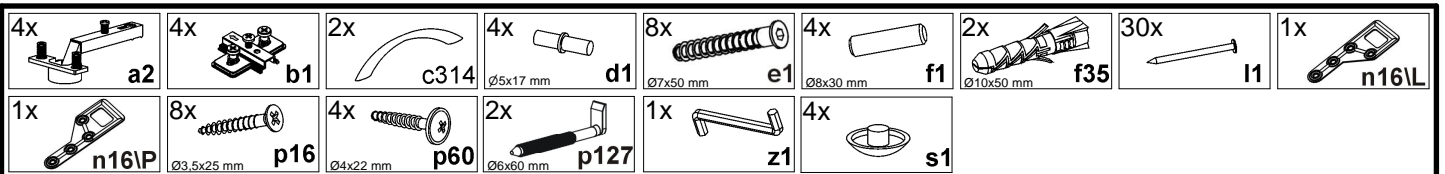
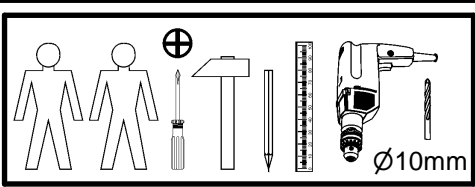
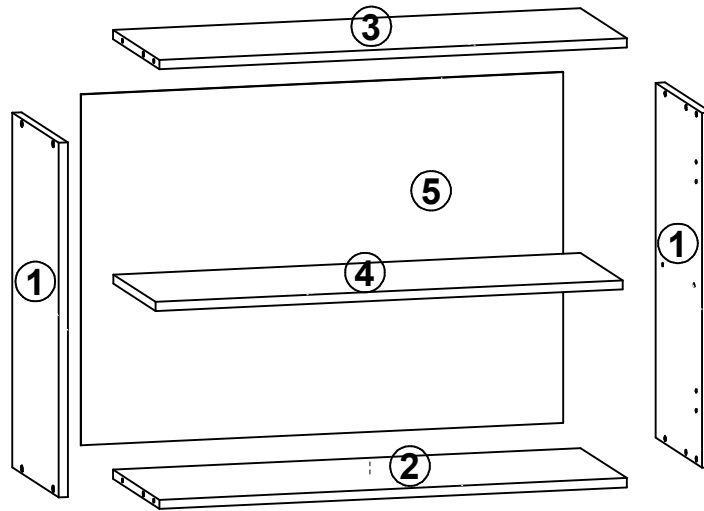
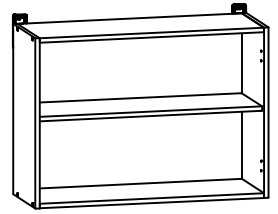


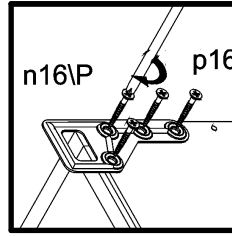
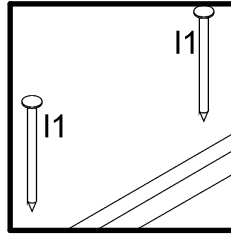
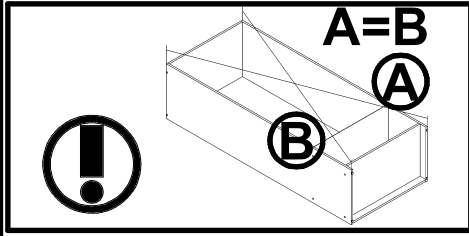
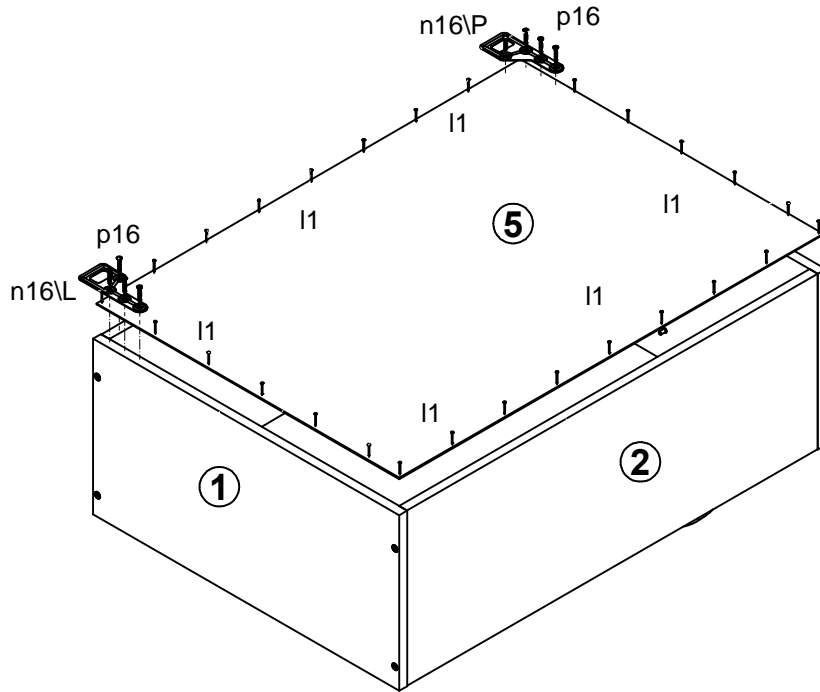
Junona Line

K22-G2D/80/57

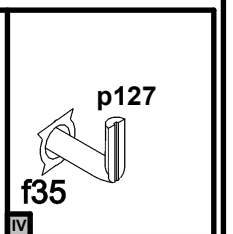
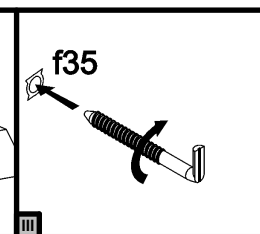
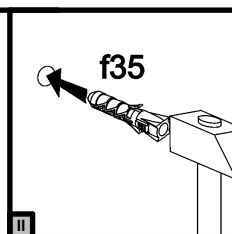
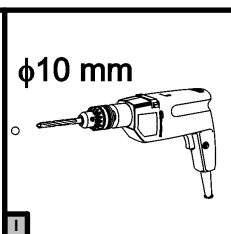
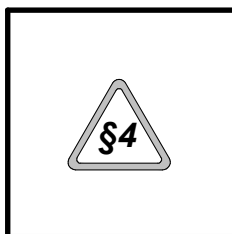
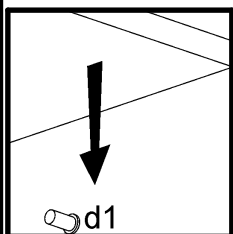
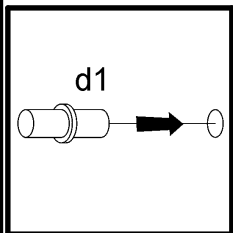
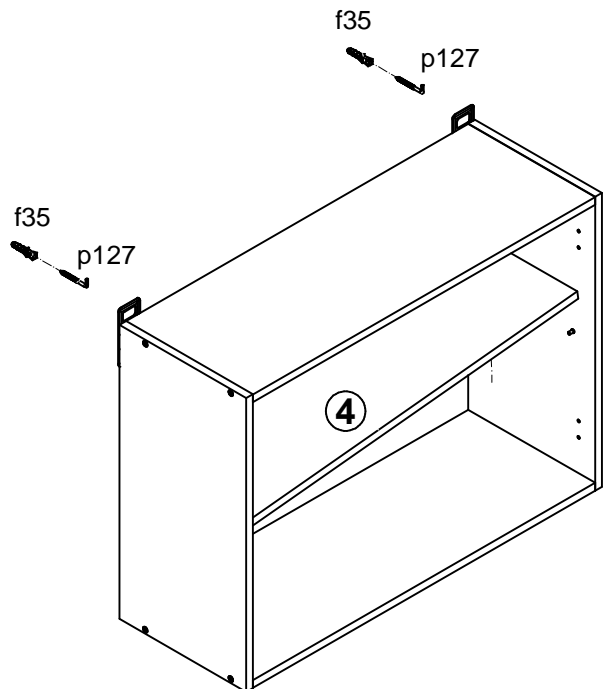
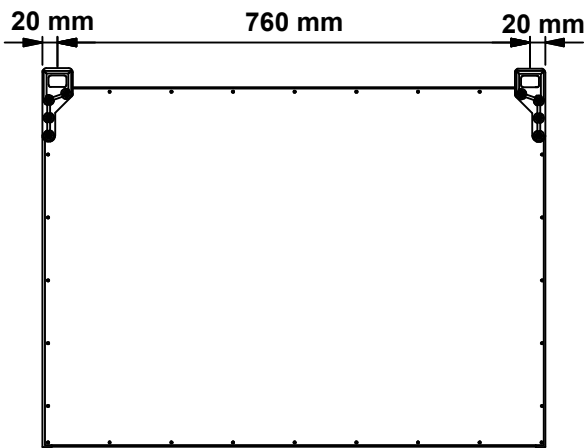
A	B	C	D
1	K22-101	573	285
2	K22-336	769	285
3	K22-337	769	285
4	K22-338	768	260
5	K22-919	567	793



2 §6



3



Junona Line

K22-G2D/80/57

A	B	C	D
1	K22-008	396	570
2	K22-013	396	570

