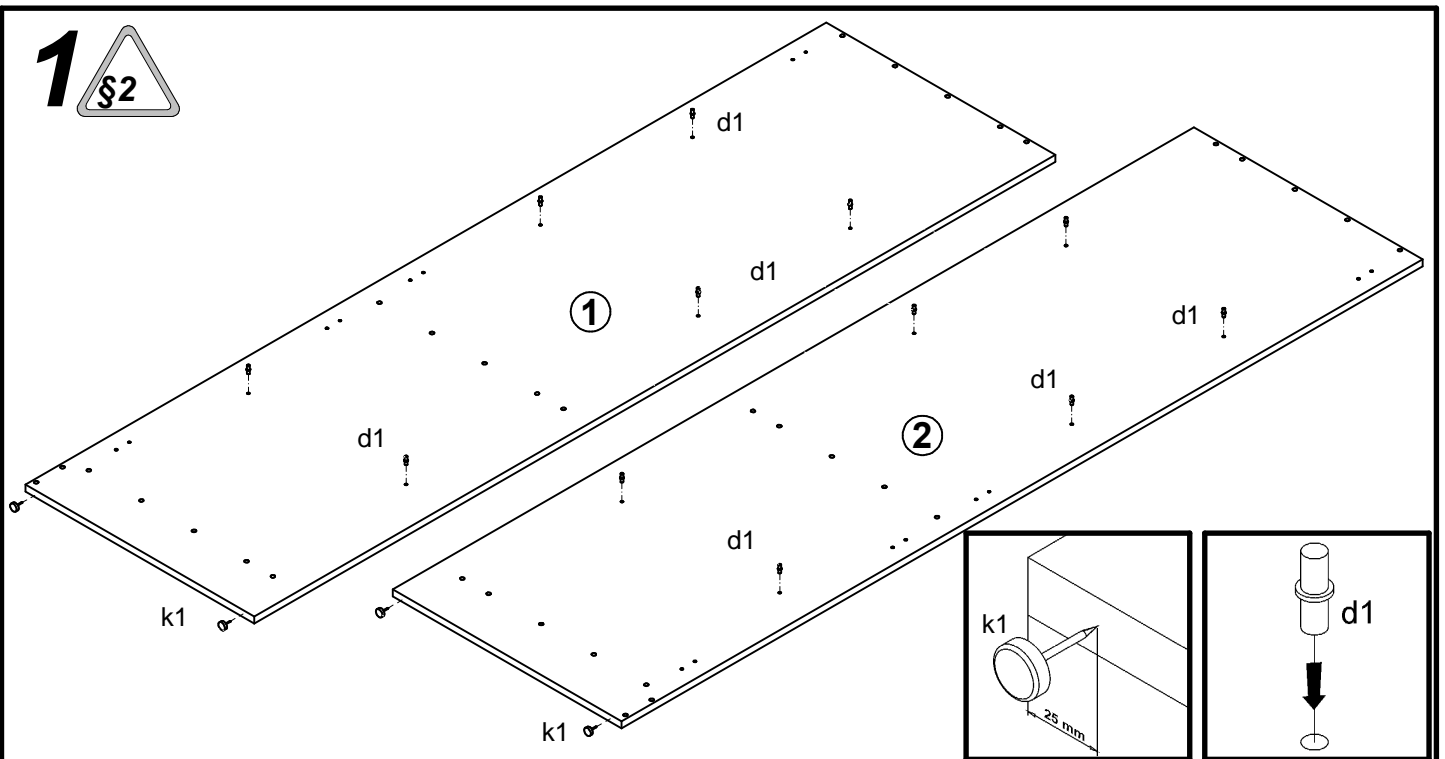
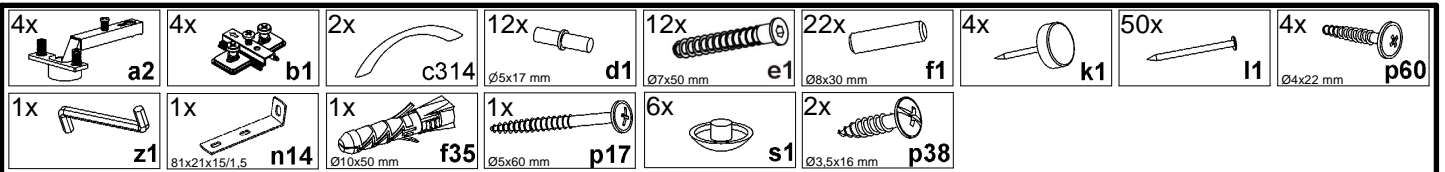
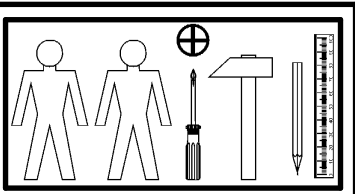
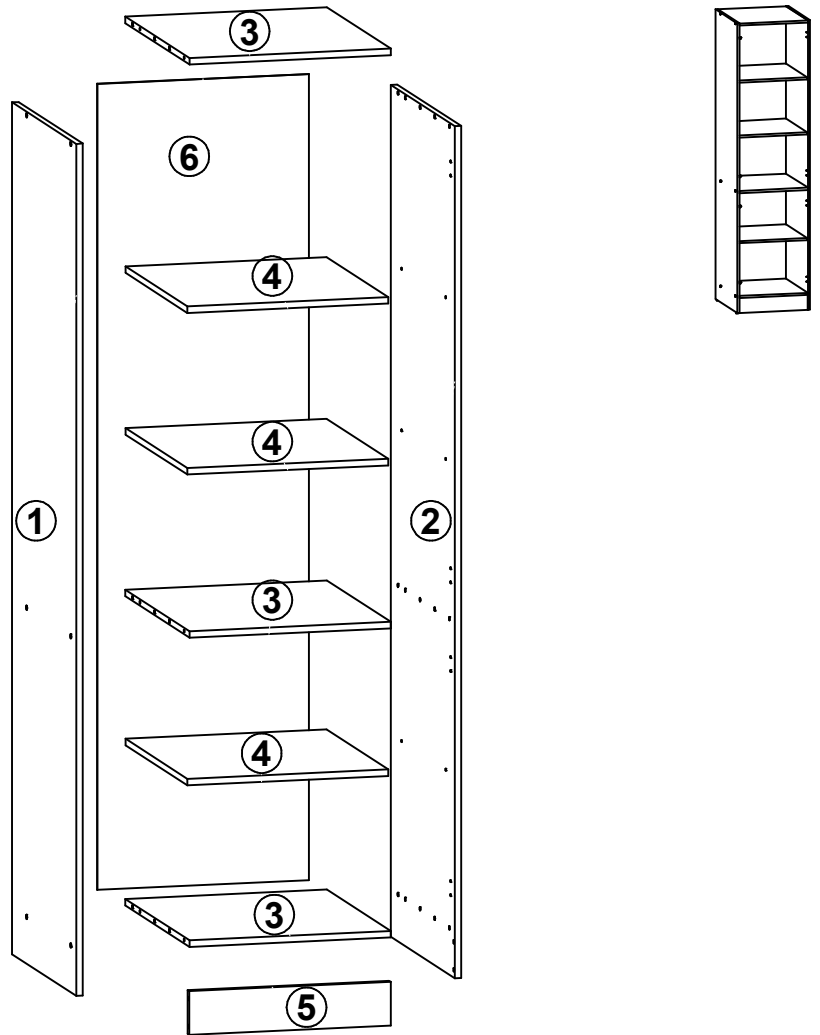
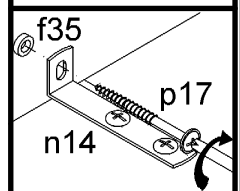
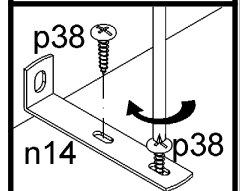
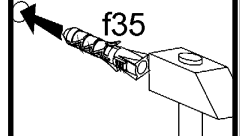
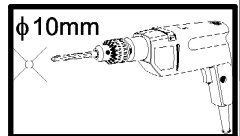
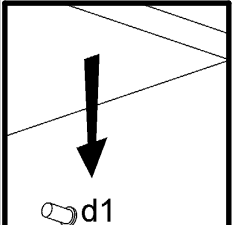
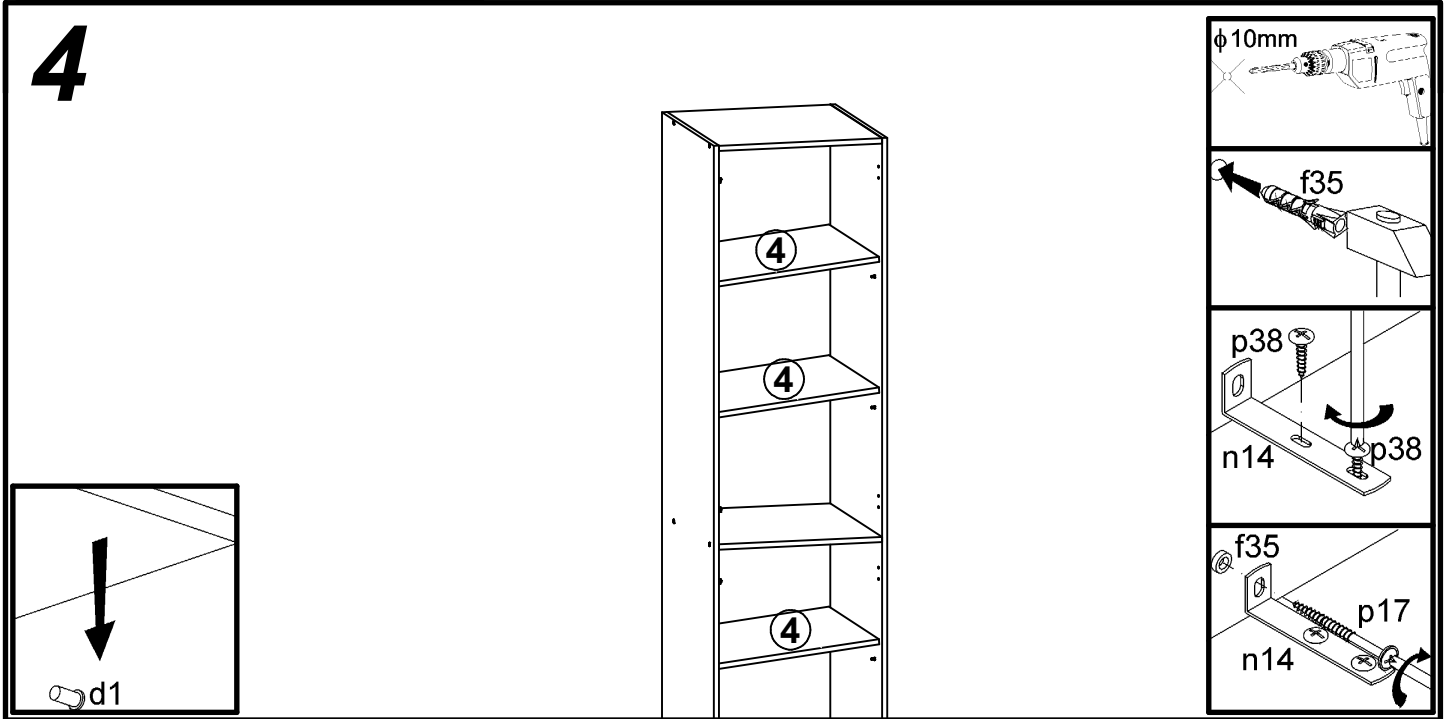
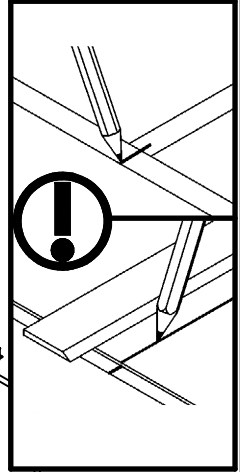
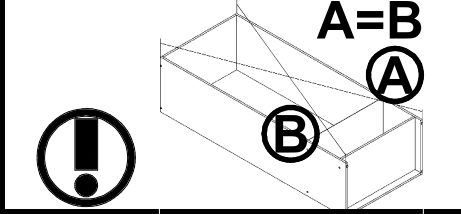
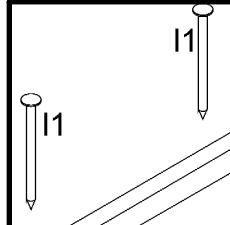
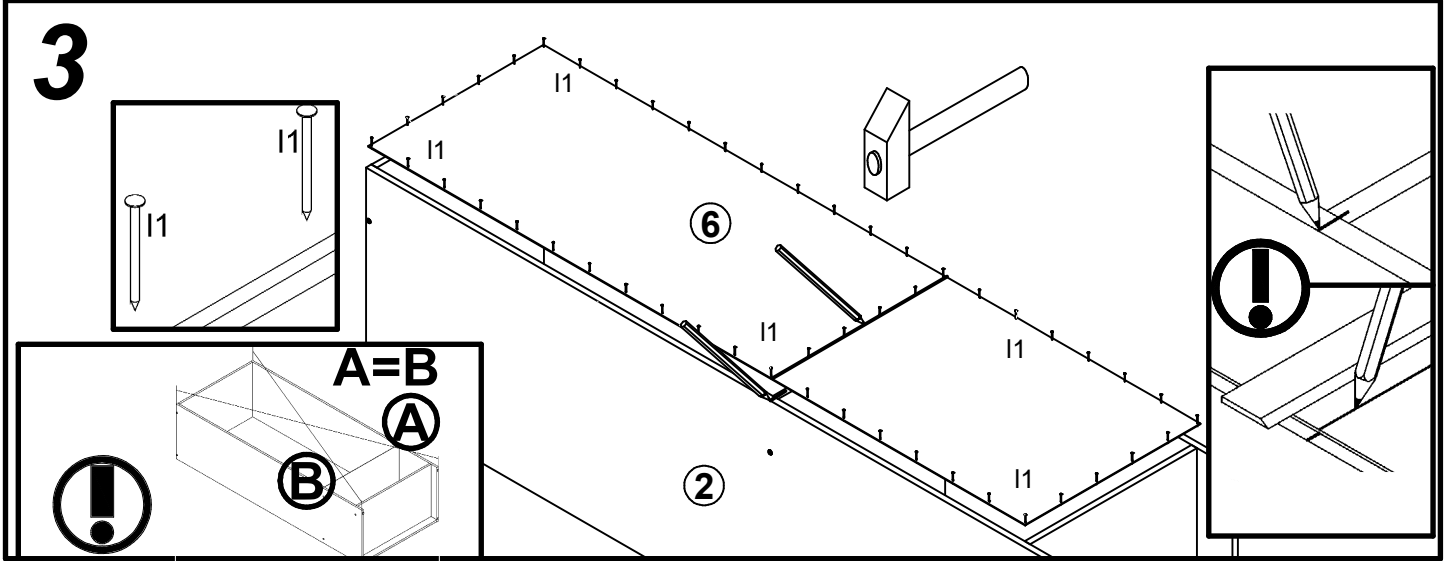
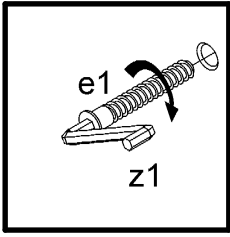
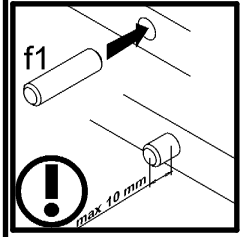
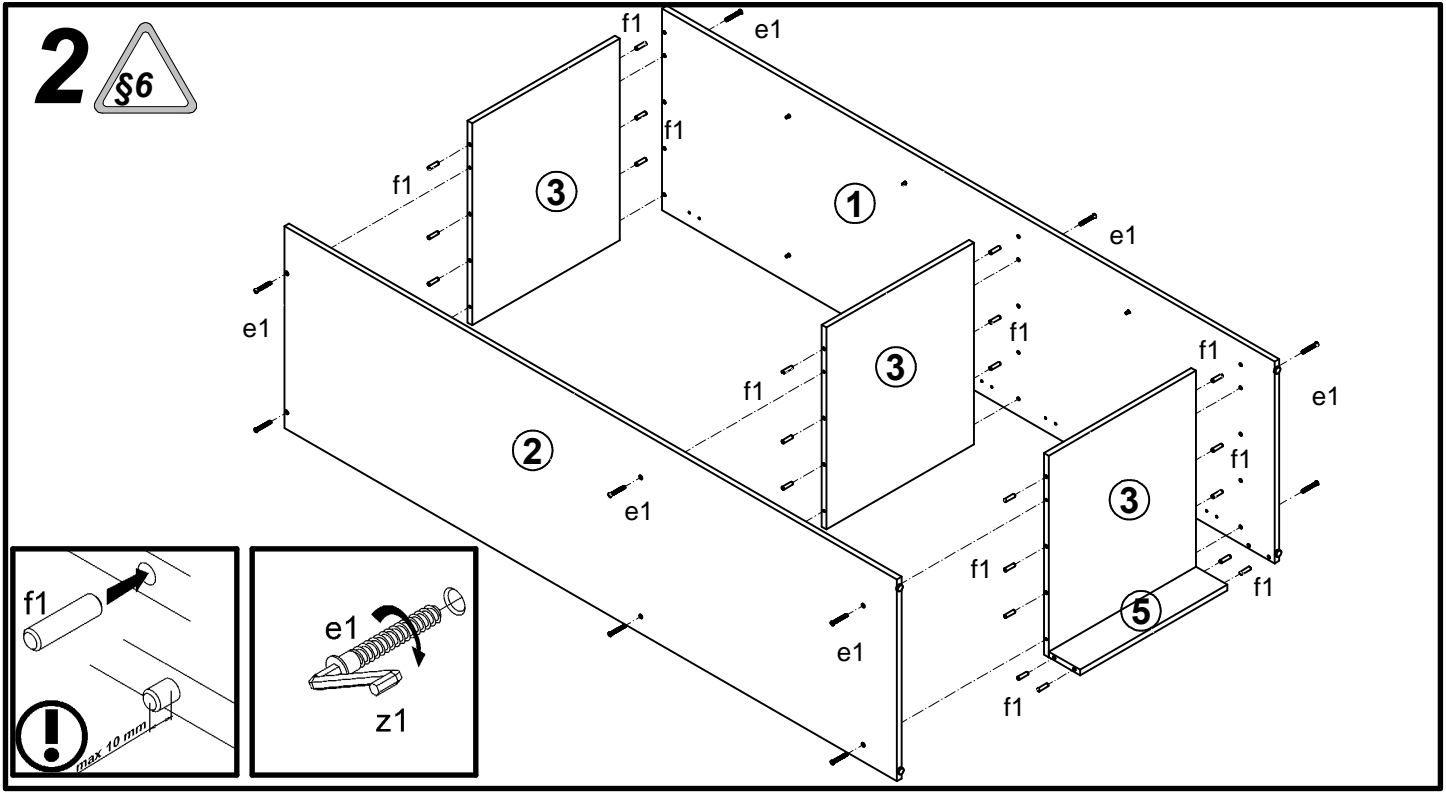


Junona Line

K22-D2D/50/195

A	B	C	D
1	K22-109	1950	557
2	K22-110	1950	557
3	K22-309	469	557
4	K22-310	468	537
5	K22-404	469	100
6	K22-907	1845	493





Junona Line

K22-D2D/50/195 L/P-frn

K22-D2D_50_195 L-frn

A	B	C		D
1	K22-007	496	1131	3/3
2	K22-022	496	713	3/3



K22-D2D_50_195 P-frn

A	B	C		D
3	K22-023	496	713	3/3
4	K22-031	496	1131	3/3

